

Note: Improved parts are to be shown in Δ PARTS LIST below.

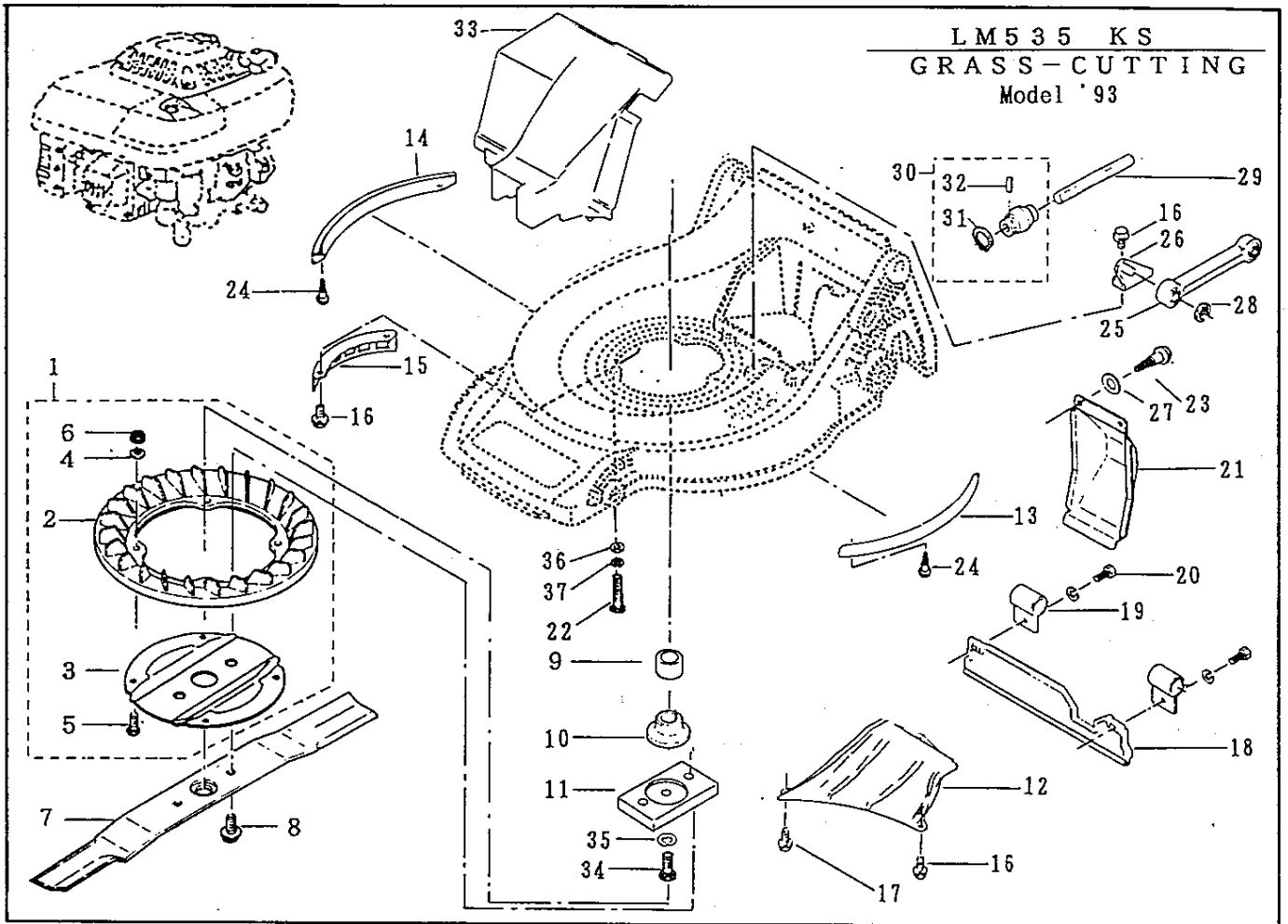
PARTS LIST
MODEL : LM535 KX,KS (GEAR CASE)

41013-106

Feb. 4, 1993 H. Ohta 1 / 2

REF. NO.	PARTS NO.	PARTS NAME	Q' TY	PRICE (Y)	Q' TY /100 SETS /YEAR	REMARKS
1	71008-203	GEAR CASE ASS'Y	1		3	
2	51001-195	GEAR CASE	(1)		3	
3	51001-196	GEAR CASE	(1)		3	
4	61002-161	OIL SEAL	SD 10 20 5	(1)	5	
5	61002-162	OIL SEAL	SD 8 14 4	(2)	10	
6	61002-163	OIL SEAL	SD 15 24 5	(2)	10	
7	64024-104	SHIFTER SHAFT	(1)		3	
8	214B11000	O-RING	(1)		5	
9	11006-101	STAY C. P.	(1)		3	
10	61003-109	THRUST PLATE	(1)		5	
Δ 11	78001-136	BEVEL GEAR	(1)		3	
12	61024-117	SPACER	(1)		5	
13	78003-111	PINION	(1)		3	
14	91097-101	UNIVERSAL JOINT	(1)		3	
15	812V1800	C-SNAP RING FOR SHAFT	ϕ 18	((1))	1	
16	717B0418	PARALLEL PIN	ϕ 4x18	((1))	3	
17	64014-181	SHAFT	(1)		3	
18	68013-167	SPRING	(1)		3	
19	31034-122	PIN	(1)		3	
20	64014-157	SHAFT	(1)		3	
21	11097-106	SHIFTER FORK	(1)		3	
Δ 22	11129-107	CLUTCH	(1)		3	
23	61024-118	SPACER	(2)		6	
24	78004-139	GEAR	(1)		3	
25	78004-140	GEAR	(1)		3	

LM535 KS
GRASS-CUTTING
Model '93



Note: Improved parts are to be shown in Δ PARTS LIST below.

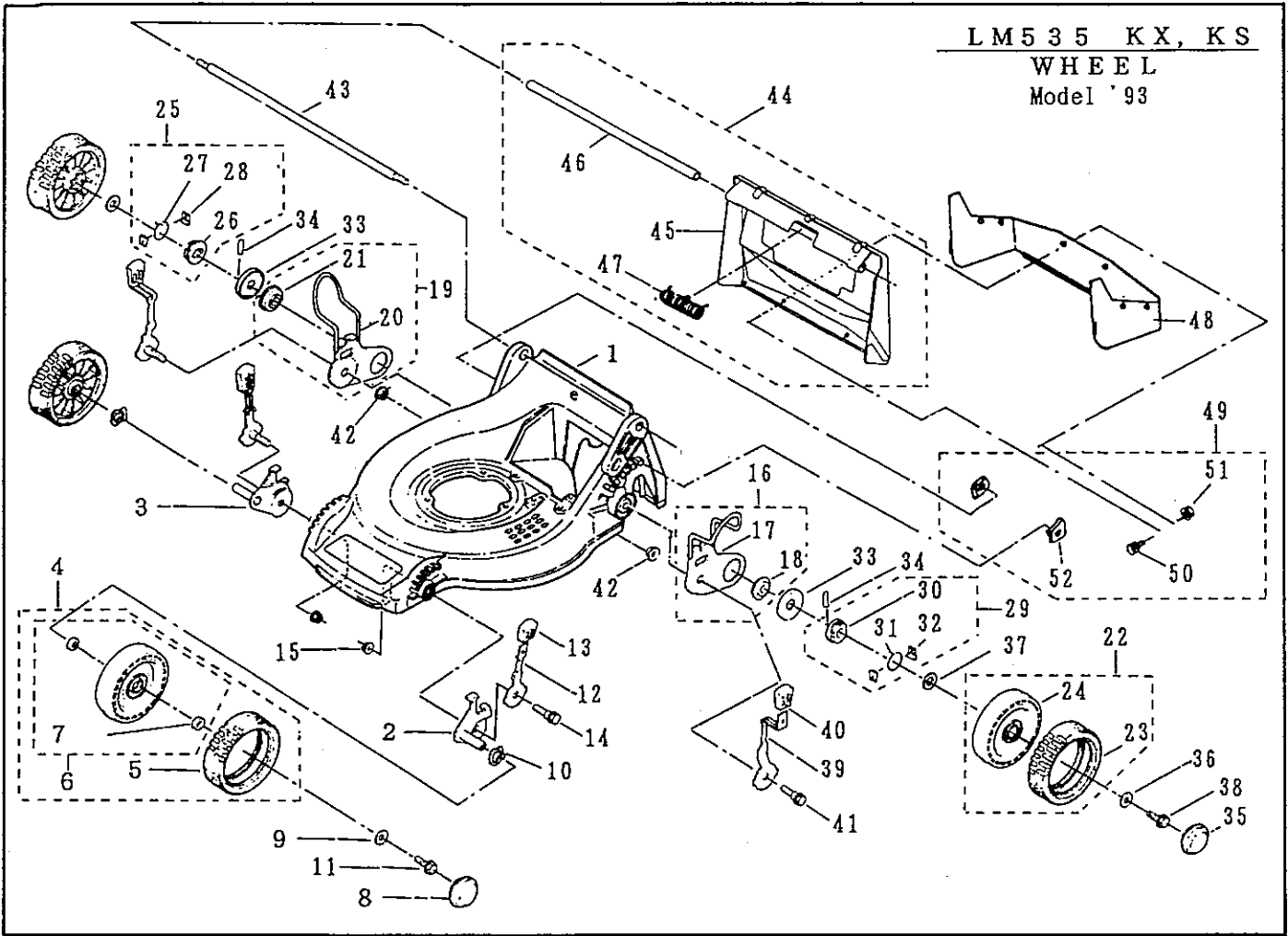
PARTS LIST
MODEL : LM535 KS (GRASS-CUTTING)

41013-108

Feb. 4, 1993 H. Ohta 1 / 2

REF. NO.	PARTS NO.	PARTS NAME	Q' TY	PRICE(Y)	Q' TY /100 SETS /YEAR	REMARKS
1	71082-109	FAN ASS'Y	1		3	
2	51125-103	FAN	(1)		5	
3	11102-162	HOLDER	(1)		5	
4	68036-125	WASHER	(4)		12	
5	322L0620	(+)HEXAGON BOLT	M6x20	(4)	20	
Δ 6	581L0600	LOCK NUT	M6	(4)	12	
7	91014-159	BLADE	1		15	
8	335M1020	FLANGE BOLT	M10x20	2	30	
Δ 9	61014-114	SHAFT COLLAR	1		3	
Δ 10	11001-155	HOLDER A	1		3	
Δ 11	11002-132	HOLDER B	1		3	
12	51079-103	COVER C. P.	1		3	
13	51090-102	PROTECTOR	1		3	(L)
14	51090-103	PROTECTOR	1		3	(R)
15	36065-180	COVER	1		3	
16	312L0816	HEXAGON BOLT(W/SW)	M8x16	6	72	
17	377L0816	(+)BINDING SCREW	M8x16	1	12	
18	36046-118	SAFETY GUARD	1		3	
Δ 19	11012-126	HANGER BAND	2		6	
Δ 20	335L0615	FLANGE BOLT	M6x15	2	6	
21	36065-179	COVER	1		3	
22	317L1045	HEXAGON BOLT	3		6	
23	470L0514	(+)TAPPING SCREW	M5x14	2	6	
24	377L0812	(+)BINDING SCREW	M8x12	4	48	
25	91049-108	CONNECTOR	1		3	

LM535 KX, KS
WHEEL
Model '93



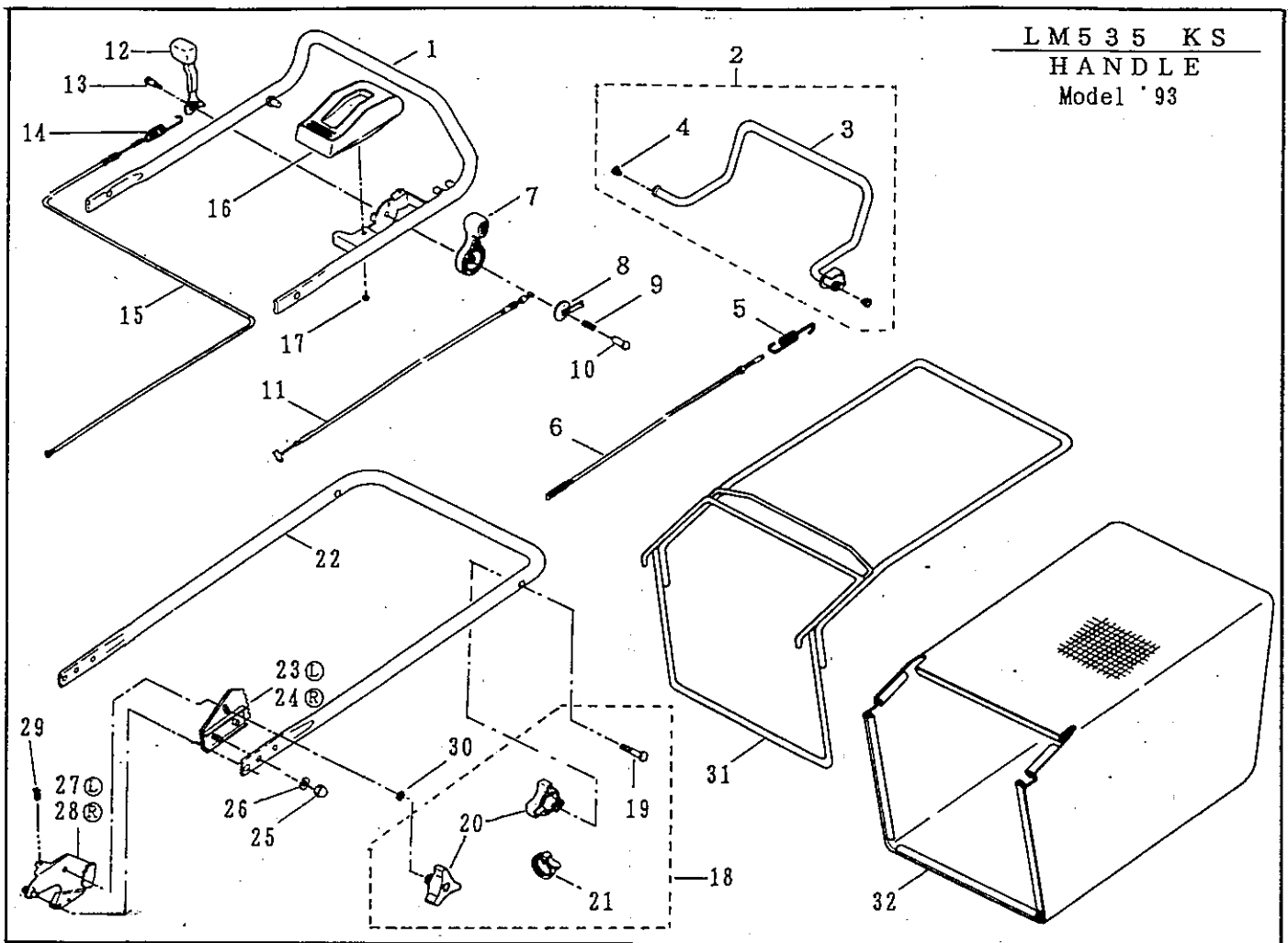
PARTS LIST
MODEL : LM535 KX,KS (WHEEL)

41013-109

Feb. 4, 1993 H. Ohta 2 / 2

REF. NO.	PARTS NO.	PARTS NAME	Q' TY	PRICE(Y)	Q' TY /100 SETS /YEAR	REMARKS
2 7	68013-170	SPRING	(1)		5	
2 8	31034-123	PIN	(2)		6	
2 9	71158-102	RATCHET ASS'Y	1		3	(L)
3 0	11102-138	HOLDER	(1)		3	
3 1	68013-170	SPRING	(1)		5	
3 2	31034-123	PIN	(2)		6	
3 3	61003-112	THRUST PLATE	2		20	
3 4	31034-137	PIN	2		20	
3 5	36070-110	CAP	2		6	
3 6	68036-101	WASHER	2		6	
3 7	68036-146	WASHER	2		6	
3 8	335L0815	FLANGE BOLT	M8x15	2	6	
3 9	11150-102	ADJUST LEVER	2		6	
4 0	36061-121	KNOB	2		6	
4 1	31057-132	HEXAGON BOLT	2		6	
4 2	569L0800	FLANGE NYLON NUT	M8	2	6	
4 3	31042-140	SHAFT BOLT	1		3	
4 4	71028-108	GUARD ASS'Y	1		3	
4 5	36079-101	GUARD C.P.	(1)		3	
4 6	36097-102	PIPE	(1)		3	
4 7	68013-198	SPRING	(1)		3	
4 8	36065-213	COVER	1		3	
4 9	71137-132	BOLT AND NUT SET	1		3	
5 0	375L0510	(+)SCREW (W/SW)	M5x10	(6)	18	
5 1	571L0500	FLANGE NUT	M5	(6)	18	
5 2	36006-108	ABSORBER	(2)		20	

LM535 KS
HANDLE
Model '93



Note: Improved parts are to be shown in Δ PARTS LIST below.

PARTS LIST
MODEL: LM535 KS (HANDLE)

46013-111

Jul. 15, 1993

1 / 2

REF. NO.	PARTS NO.	PARTS NAME	Q' TY	PRICE (Y)	Q' TY /100 SETS /YEAR	REMARKS
1	51027-153	HANDLE	1		3	
2	71161-102	LEVER ASS' Y	1		5	
3	11095-127	LEVER	(1)		3	
4	76007-131	BUSH	(2)		30	
5	68013-183	SPRING	1		5	
Δ 6	91003-140	CONTROL CABLE	1		5	
7	91010-169	THROTTLE LEVER	1		10	
8	61003-113	THRUST PLATE	1		5	
9	68013-160	SPRING	1		3	
10	31058-107	HEXAGON NUT	1		3	
11	91001-182	THROTTLE WIRE	1		10	
12	11095-117	LEVER	1		3	
13	31062-109	PRE-COAT LOCK BOLT	1		5	
14	68013-161	SPRING	1		3	
15	91003-125	CONTROL CABLE	1		5	
16	36065-168	COVER	1		3	
17	470L0514	(+) TAPPING SCREW	M5x14	2	6	
18	71052-119	BOLT SET	1		3	
19	31057-134	BOLT	(2)		6	
20	36061-118	KNOB	(4)		12	
21	68028-103	WIRE BAND	(2)		6	
22	51027-150	HANDLE	1		3	
23	11113-183	STAY	1		3	(L)
24	11113-184	STAY	1		3	(R)
25	564L0800	HEXAGON CAP-NUT	M8	2	6	

